

AC244 SERIES

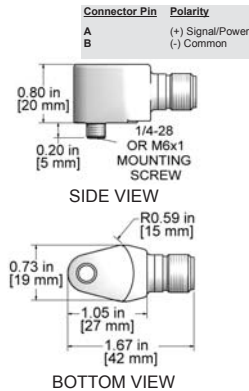
PREMIUM SERIES, mini-MIL ACCELEROMETER HIGH FREQUENCY, SIDE EXIT CABLE, 100 mV/g

mini-MIL MUST USE J2X SERIES CONNECTORS



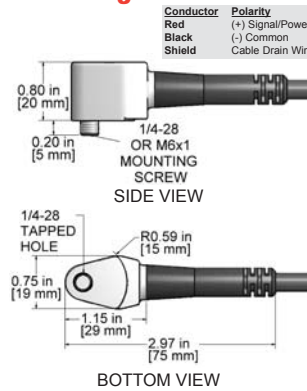
AC244-1A

2 Pin Connector



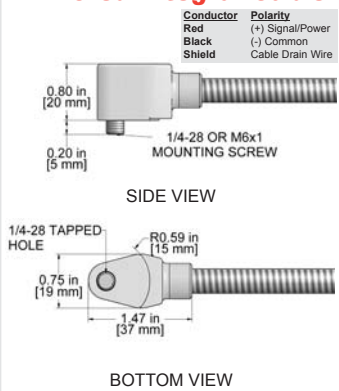
AC244-2C

Integral Cable



AC244-3C

Armored Integral Cable



Part Numbers & Ordering Information:

When Ordering Metric, add "M" prefix.
(Example: M/AC244-2A/010-Z)

Part Number	Description	Length	End Style
AC244-1A	Premium, mini-MIL accelerometer, high frequency, 100 mV/g, 2 pin side connector		
AC244-2C/010-Z	10 ft. (3 m), blunt cut end	10 ft. (3 m)	blunt cut end
AC244-2C/020-Z	20 ft. (6 m), blunt cut end	20 ft. (6 m)	blunt cut end
AC244-2C/030-Z	30 ft. (9 m), blunt cut end	30 ft. (9 m)	blunt cut end
AC244-2C/050-Z	50 ft. (15 m), blunt cut end	50 ft. (15 m)	blunt cut end
AC244-2C/100-Z	100 ft. (30 m), blunt cut end	100 ft. (30 m)	blunt cut end
AC244-2C/010-F	10 ft. (3 m), BNC plug connector	10 ft. (3 m)	BNC plug connector
AC244-2C/020-F	20 ft. (6 m), BNC plug connector	20 ft. (6 m)	BNC plug connector
AC244-2C/030-F	30 ft. (9 m), BNC plug connector	30 ft. (9 m)	BNC plug connector
AC244-2C/050-F	50 ft. (15 m), BNC plug connector	50 ft. (15 m)	BNC plug connector
AC244-2C/100-F	100 ft. (30 m), BNC plug connector	100 ft. (30 m)	BNC plug connector
AC244-3C/010-Z	10 ft. (3 m), blunt cut end	10 ft. (3 m)	blunt cut end
AC244-3C/020-Z	20 ft. (6 m), blunt cut end	20 ft. (6 m)	blunt cut end
AC244-3C/030-Z	30 ft. (9 m), blunt cut end	30 ft. (9 m)	blunt cut end
AC244-3C/050-Z	50 ft. (15 m), blunt cut end	50 ft. (15 m)	blunt cut end
AC244-3C/100-Z	100 ft. (30 m), blunt cut end	100 ft. (30 m)	blunt cut end
AC244-3C/010-F	10 ft. (3 m), BNC plug connector	10 ft. (3 m)	BNC plug connector
AC244-3C/020-F	20 ft. (6 m), BNC plug connector	20 ft. (6 m)	BNC plug connector
AC244-3C/030-F	30 ft. (9 m), BNC plug connector	30 ft. (9 m)	BNC plug connector
AC244-3C/050-F	50 ft. (15 m), BNC plug connector	50 ft. (15 m)	BNC plug connector
AC244-3C/100-F	100 ft. (30 m), BNC plug connector	100 ft. (30 m)	BNC plug connector

* Custom Lengths Available Upon Request

Performance Specifications	English	Metric	Environmental	English	Metric
Sensitivity	±5%	100 mV/g	Temperature Range	-58 to 250° F	-50 to 121° C
Frequency Response			Maximum Shock Protection	5,000 g, peak	5000 g, peak
±3 dB	36-900,000 CPM	0.6-15000 Hz	Electromagnetic Sensitivity	CE	CE
±10%	60-600,000 CPM	1.0-10000 Hz	Sealing	Welded, Hermetic	Welded, Hermetic
±5%	120-420,000 CPM	2.0-7000 Hz	Submersible Depth	500 ft	152 m
Dynamic Range	±50 g, peak	±50 g, peak	Physical		
Electrical			Sensing Element	PZT Ceramic	PZT Ceramic
Settling Time (Turn on Time)			Sensing Structure	Shear Mode	Shear Mode
@ Room Temp (68°F/20°C)	<2.5 Seconds	<2.5 Seconds	Weight	2.1 oz.	60 grams
Power Requirement			Case Material	316L Stainless Steel	316L Stainless Steel
Voltage Source	18-30 VDC	18-30 VDC	Mounting Hole	1/4-28	1/4-28
Constant Current Excitation	2-10 mA	2-10 mA	Connector (AC244-1A)	2 Pin Mini-MIL	2 Pin Mini-MIL
Electrical Noise (Typical)			Integral Cable (AC244-2C)	CB110	CB110
Broadband 2.5 Hz to 25 kHz	325 µg, rms	325 µg, rms	Armored Cable (AC244-3C)	CB206, Armor Jacket	CB206, Armor Jacket
Spectral 10 Hz	30 µg/√Hz	30 µg/√Hz	Mechanical		
100 Hz	4 µg/√Hz	4 µg/√Hz	Resonant Frequency	2,100,000 CPM	35000 Hz
1000 Hz	2 µg/√Hz	2 µg/√Hz	Mounting Torque	2 to 5 ft. lbs.	2.7 to 6.8 Nm
Output Impedance, Max	<100 ohm	<100 ohm	Supplied Accessories		
Bias Output Voltage	7-14 VDC	7-14 VDC	Mounting Hardware	1/4-28 Screw	M6x1 Adapter Screw
Electrical Case Isolation	>10 ⁸ ohm	>10 ⁸ ohm	Calibration Certificate	CA10	CA10

Common Applications

Industries Served

- Automotive
- Pharmaceutical
- Wastewater Treatment

Typical Applications

- Air Handlers
- Motors
- Spindles
- Dryer Sections <250° F (121° C)
- Press Sections

Measurement Types

- Permanent
- Portable

- Military
- Pulp and Paper

- Petrochemical
- Steel

- Fans
- Pumps

- Gear Boxes
- Roll and Process Equipment



UNCONDITIONAL, LIFETIME WARRANTY